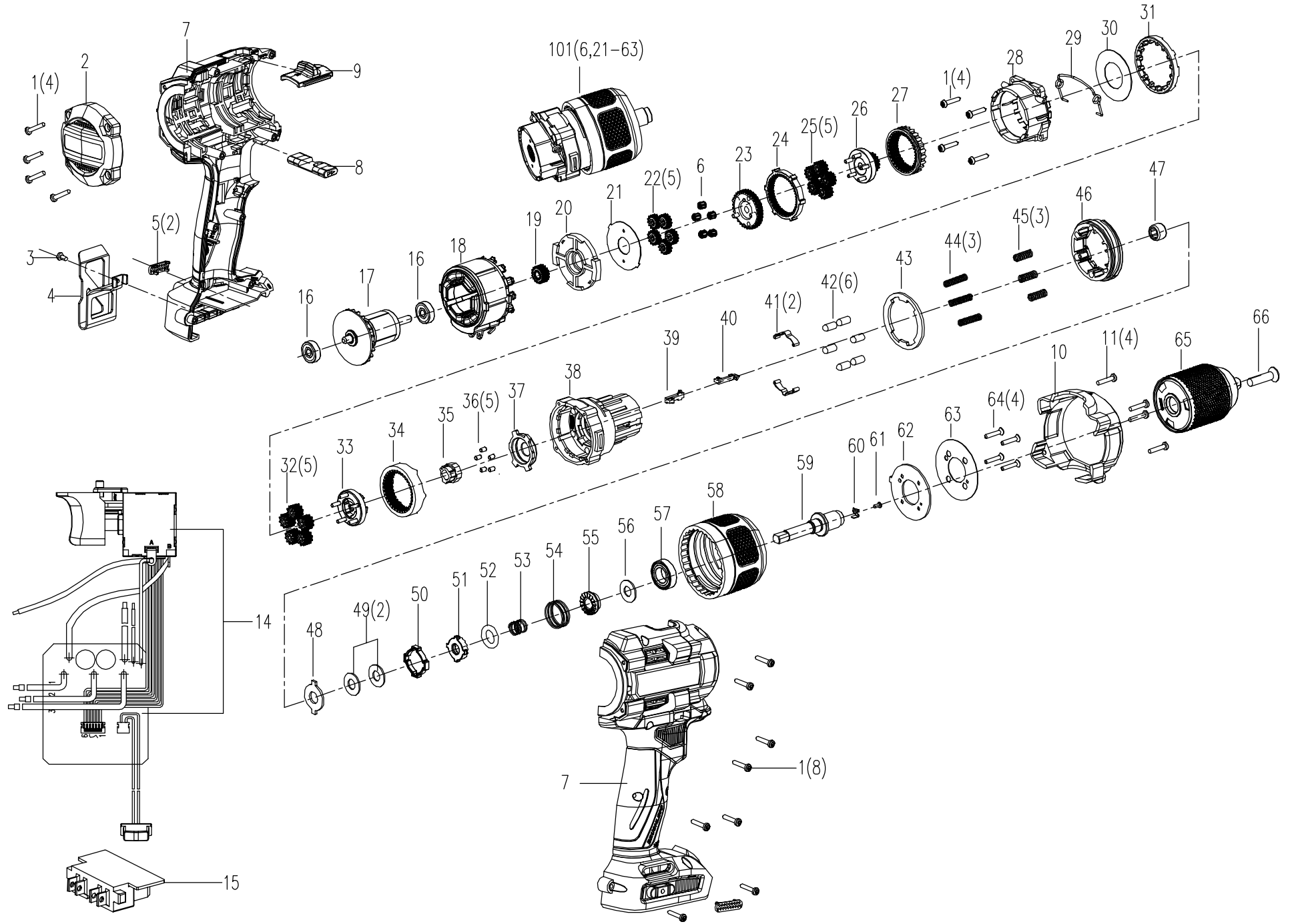


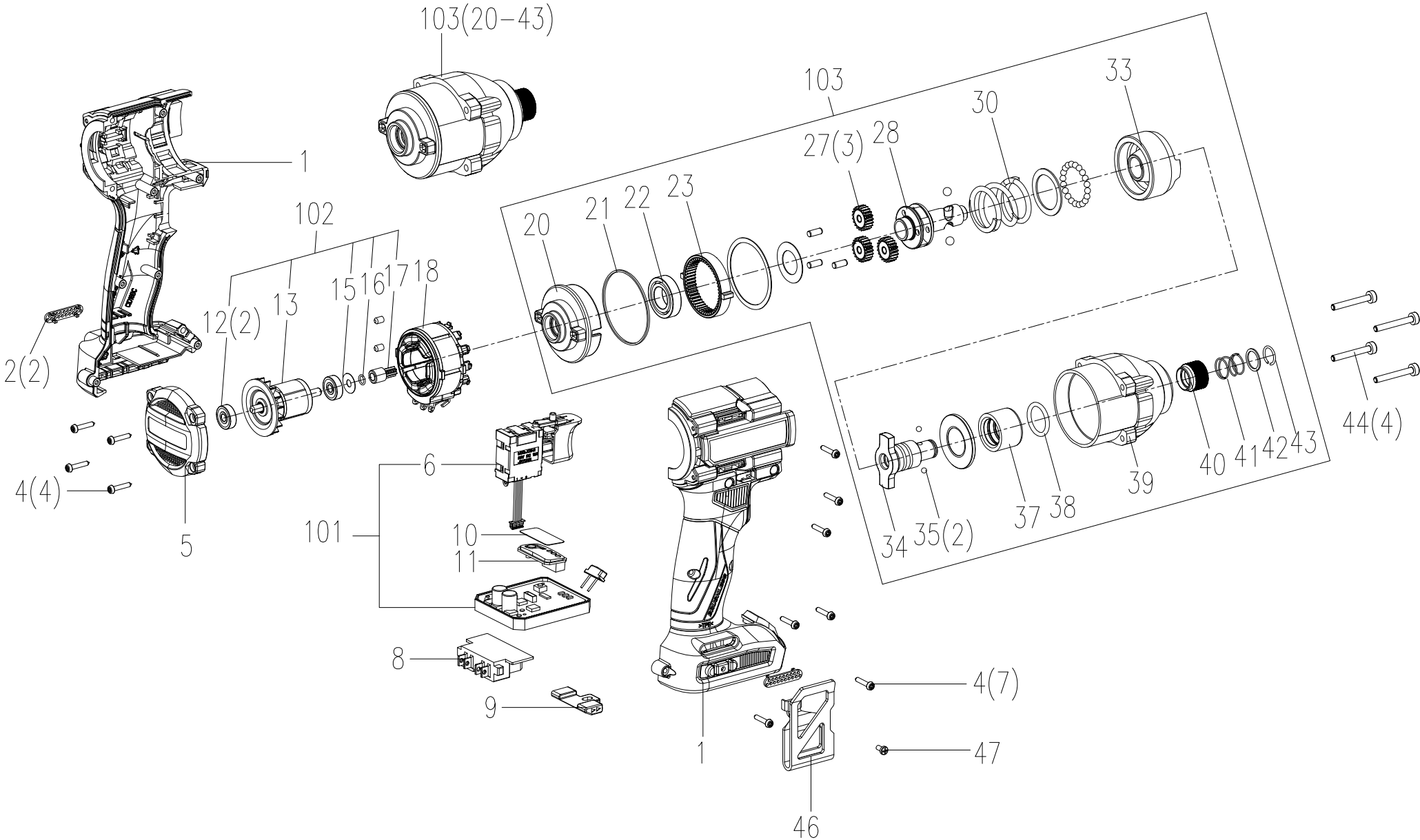
DX12.A

Version:00
Date:200729



DX711.A

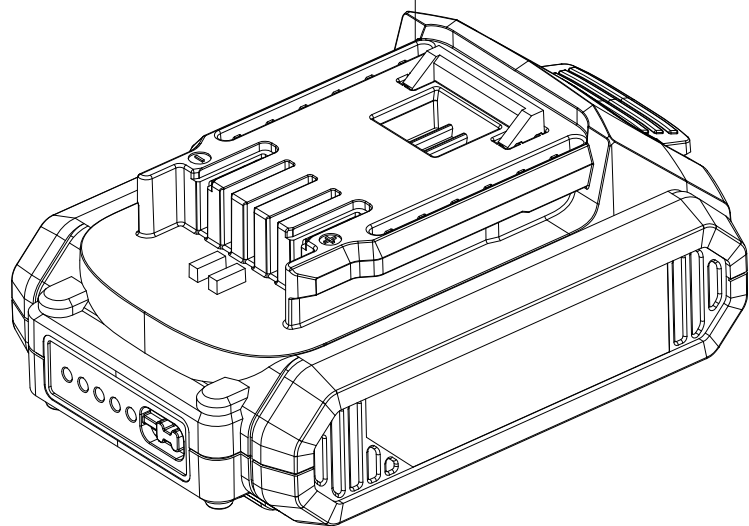
Version:00
Date:210621



Accessories

Version:00
Date:210622

201



202

